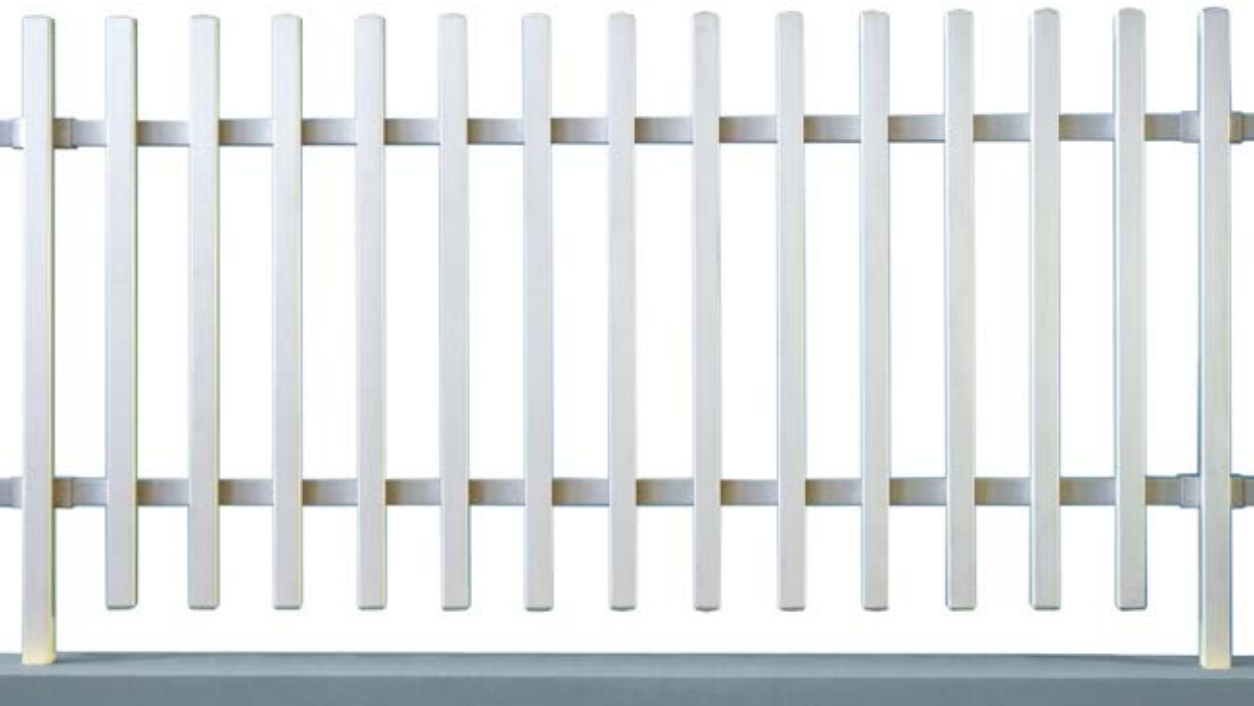


Available colours:

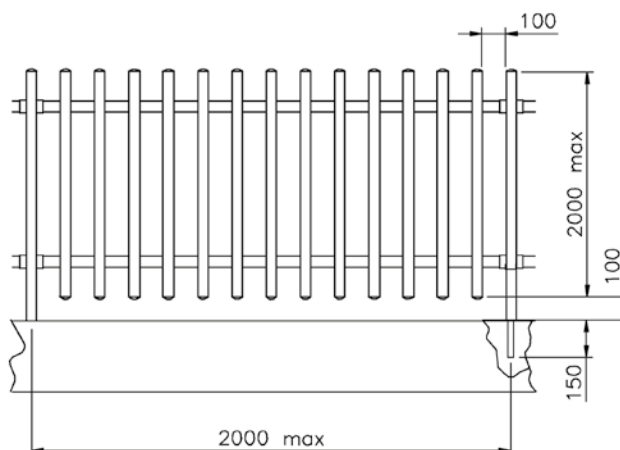
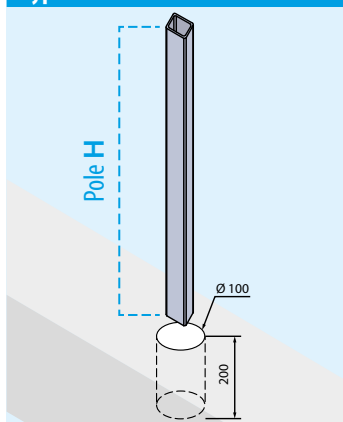
RAL	
EXTRUDED WITHOUT FILM	
WHITE	RAL 9003
IVORY	RAL 1013
LIGHT GREY	RAL 7004
DARK GREY	RAL 7016
GREEN	RAL 6005
BROWN	RAL 8017
BLACK	RAL 9017

WOOD

PINE	_____
GOLDEN OAK	_____
CLASSIC OAK	_____
WALNUT	_____
MAHOGANY	_____
BLEACHED OAK	_____
DESERT OAK	_____
DARK GREEN	_____

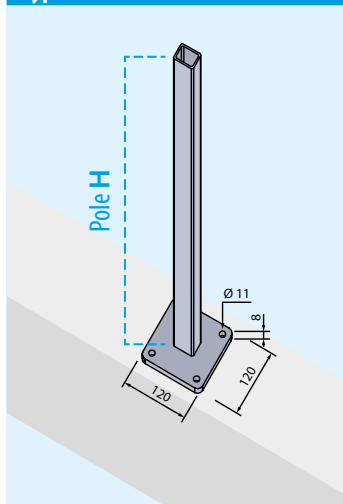


Type "E" WALL ANCHORAGE

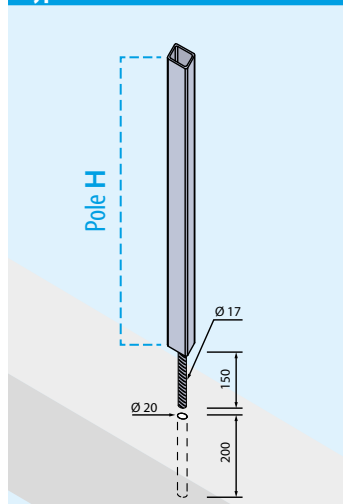


POLE ANCHORAGE SYSTEMS – ON REQUEST

Type "C" WITH 4 HOLE PLATE



Type "D" WITH CENTRAL PIN



POLE ANCHORAGE Type "C"

WITH 4 HOLE PRE-WELDED HOT GALVANISED PLATE

			Page
RS51Z	30x40 pole reinforcement profile	H 100 cm	32/P
RS57Z	50x40 pole reinforcement profile	H 120 cm	33/P
RS58Z	50x40 pole reinforcement profile	H 150 cm	33/P
RS59Z	50x40 pole reinforcement profile	H 200 cm	33/P

WITH 4 HOLE PRE-WELDED, HOT GALVANISED AND PAINTED PLATE

RS51V	30x40 pole reinforcement profile	H 100 cm	32/P
RS57V	50x40 pole reinforcement profile	H 120 cm	33/P
RS58V	50x40 pole reinforcement profile	H 150 cm	33/P
RS59V	50x40 pole reinforcement profile	H 200 cm	33/P

POLE ANCHORAGE Type "D"

WITH HOT GALVANISED CENTRAL PIN

RS71Z	30x40 pole reinforcement profile	H 100 cm	35/P
RS67Z	50x40 pole reinforcement profile	H 120 cm	35/P