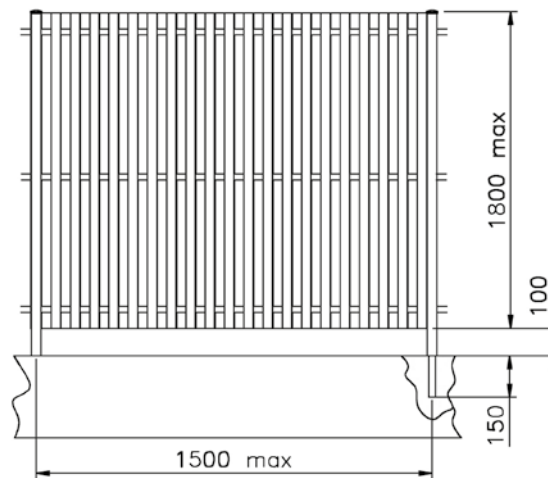
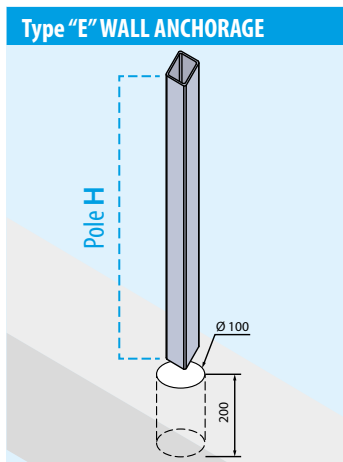
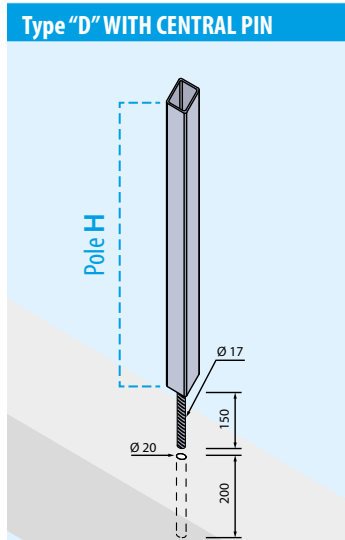
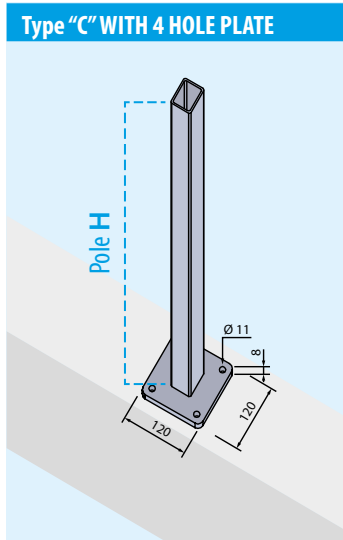


Available colours:

RAL EXTRUDED WITHOUT FILM	
WHITE	RAL 9003
IVORY	RAL 1013
LIGHT GREY	RAL 7004
DARK GREY	RAL 7016
GREEN	RAL 6005
BROWN	RAL 8017
BLACK	RAL 9017



POLE ANCHORAGE SYSTEMS – ON REQUEST



POLE ANCHORAGE Type "C"

PRE-WELDED HOT-GALVANISED WITH 4 HOLE PLATE

Code	Pole reinforcement profile	Height	Page
RS51Z	30x40 pole reinforcement profile	H 100 cm	32/P
RS52Z	30x40 pole reinforcement profile	H 120 cm	32/P
RS58Z	50x40 pole reinforcement profile	H 150 cm	33/P
RS59Z	50x40 pole reinforcement profile	H 200 cm	33/P

PRE-WELDED HOT-GALVANISED AND PAINTED WITH 4 HOLE PLATE

Code	Pole reinforcement profile	Height	Page
RS51V	30x40 pole reinforcement profile	H 100 cm	32/P
RS52V	30x40 pole reinforcement profile	H 120 cm	32/P
RS58V	50x40 pole reinforcement profile	H 150 cm	33/P
RS59V	50x40 pole reinforcement profile	H 200 cm	33/P

POLE ANCHORAGE Type "D"

HOT GALVANISED WITH CENTRAL PIN

Code	Pole reinforcement profile	Height	Page
RS71Z	30x40 pole reinforcement profile	H 100 cm	35/P
RS65Z	30x40 pole reinforcement profile	H 120 cm	35/P