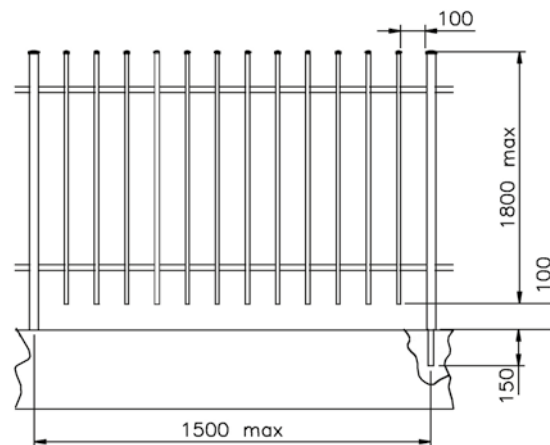
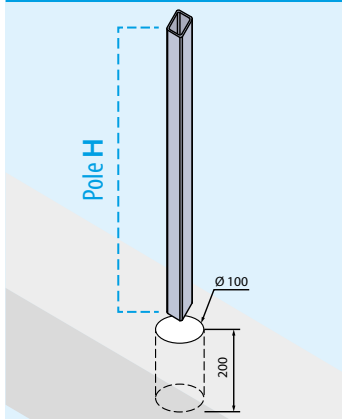


Available colours:

RAL	
ESTRUSI SENZA PELLICOLA	
WHITE	RAL 9003
IVORY	RAL 1013
LIGHT GREY	RAL 7004
DARK GREY	RAL 7016
GREEN	RAL 6005
BROWN	RAL 8017
BLACK	RAL 9017

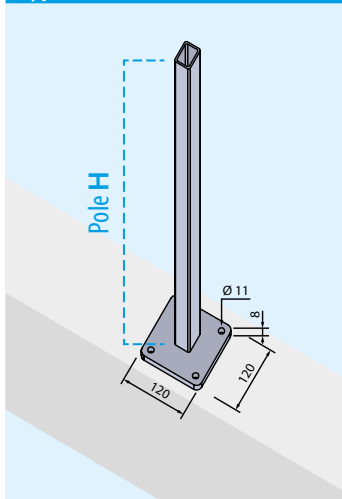


### Type "E" WALL ANCHORAGE

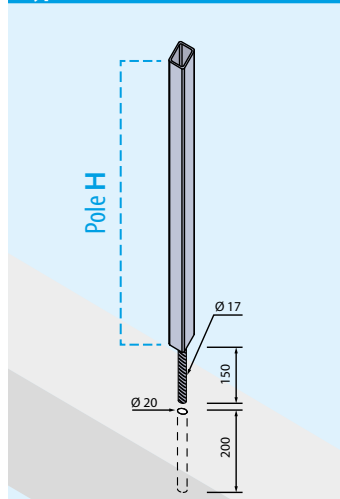


### POLE ANCHORAGE SYSTEMS – ON REQUEST

#### Type "C" WITH 4 HOLE PLATE



#### Type "D" WITH CENTRAL PIN



#### POLE ANCHORAGE Type "C"

##### PRE-WELDED HOT-GALVANISED WITH 4 HOLE PLATE

Code	Pole reinforcement profile	Height	Page
RS51Z	30x40 pole reinforcement profile	H 100 cm	32/P
RS52Z	30x40 pole reinforcement profile	H 120 cm	32/P
RS53Z	30x40 pole reinforcement profile	H 150 cm	32/P
RS54Z	30x40 pole reinforcement profile	H 200 cm	32/P

##### PRE-WELDED HOT-GALVANISED AND PAINTED WITH 4 HOLE PLATE

Code	Pole reinforcement profile	Height	Page
RS51V	30x40 pole reinforcement profile	H 100 cm	32/P
RS52V	30x40 pole reinforcement profile	H 120 cm	32/P
RS53V	30x40 pole reinforcement profile	H 150 cm	32/P
RS54V	30x40 pole reinforcement profile	H 200 cm	32/P

#### POLE ANCHORAGE Type "D"

##### HOT GALVANISED WITH CENTRAL PIN

Code	Pole reinforcement profile	Height	Page
RS71Z	30x40 pole reinforcement profile	H 100 cm	35/P
RS65Z	30x40 pole reinforcement profile	H 120 cm	35/P